


MINISTRY OF DEFENCE
(OFFICE OF JS & CAO)

Subject:- Revision of Charter of Duties in the O/o JS & CAO

Reference Note No. A/76544/CAO/Coord dated 24 Nov 2015.

2. The competent authority has approved re-distribution of work among the divisions in the O/o JS & CAO. The existing Organisation Chart is amended as per **Appendix-'A'**.
3. For compliance with immediate effect and necessary action.
4. Hindi version will follow.


(Pravin Kumar Das)
DD(CAO/Coord)

All Directors in CAO's office.

All Dy CAOs in CAO's office/ Dik (DHTI)

All SAOs/AOs in CAO's office.

All Coord Sections of Service HQs/ISOs.

MoD JS & CAO ID No. A/76544/CAO/Coord dated 11 June 2018

Copy to:-

Sr PPS to JS & CAO

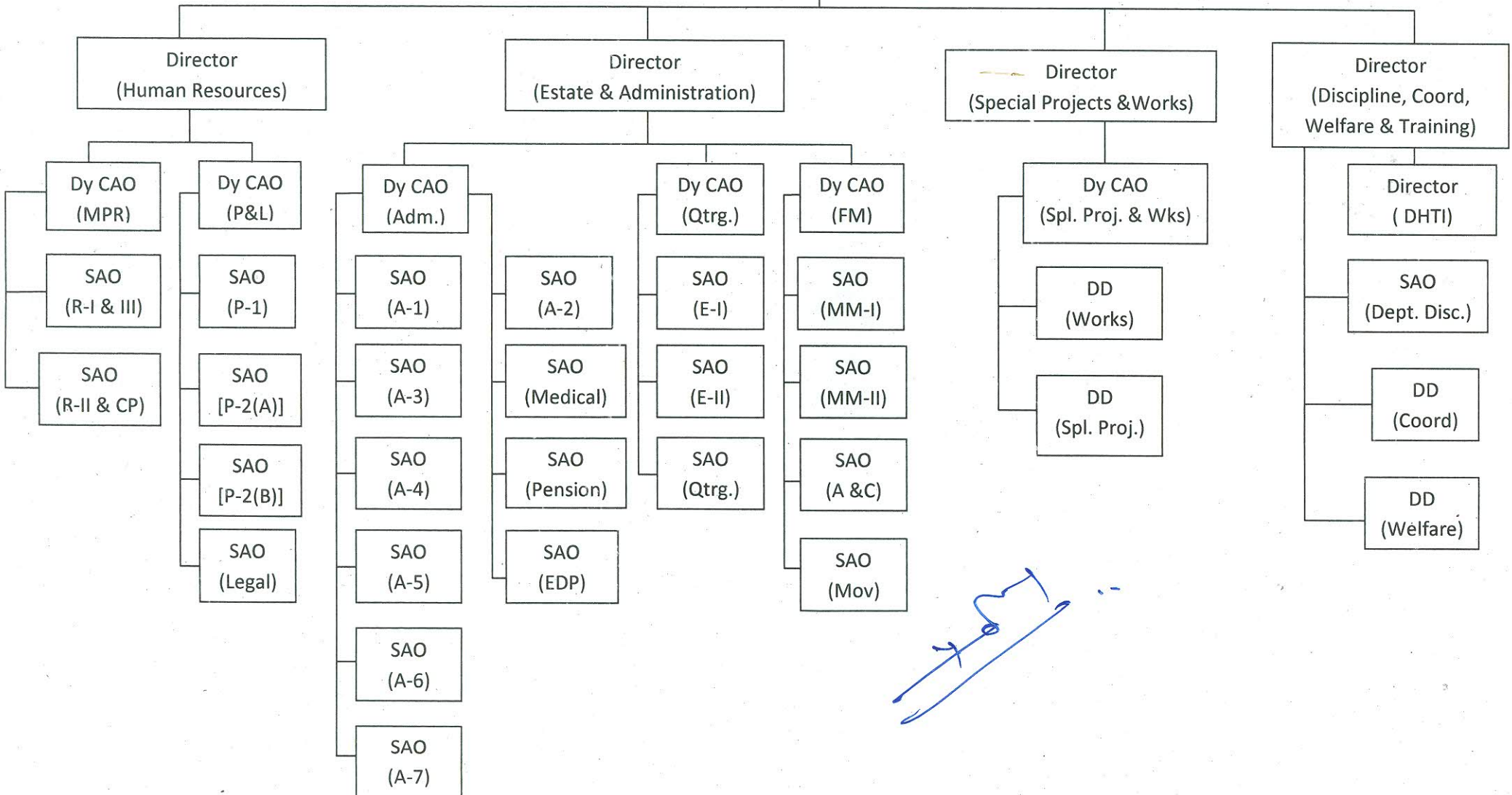
CAO/EDP:- for uploading on official website.



सु.प्र.अ. (CAO)	CAO (EDP)
उप मुख्या (वि.प्र. अ. प्र.) Dy CAO (EDP)	
उप निदेशक (वि.प्र. अ.) Dy. Dir (EDP)	
प्र. अ. A. O.	
डायरी नं. Diary No.	169
दिनांक Date	12/06/18

ID Note No. A/76544/CAO/Coord, dated 11 June 2018.

JS & CAO



Handwritten signature in blue ink.